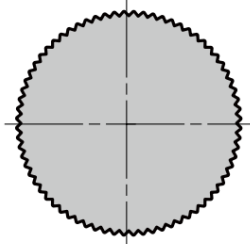
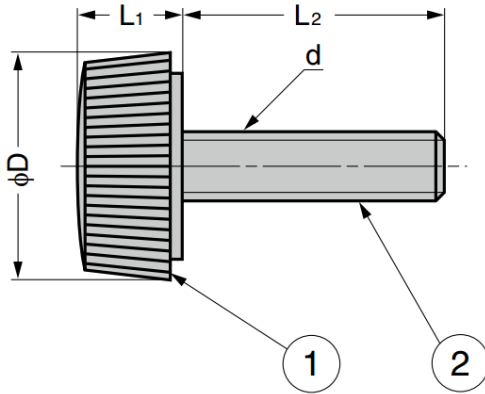


GUN-B Phenol Resin Thumbscrew Knob

Features

- Suitable for applications such as switchboards, control and distribution boards



No.	Part Name	Material	Finish / Colour
①	Knob	Phenol Resin (PF)	Black
②	Screw	Steel (SWRCH)	Coloured Zinc Chromate (Trivalent)

Part No.	L ₁	L ₂	D	d
GUN-2000B	5	6	11	M3
GUN-2003B		16		
GUN-2006B		8		
GUN-2010B	6.2	10	14	M4
GUN-2011B				
GUN-2013B				